

Potentialités des bioélectrodes et des bioréacteurs à biomasse fixée pour l'estimation rapide de la DBO

Potential of bioelectrodes and bioreactors with immobilized biomass for the rapid estimation of BOD

V. Reuter, T. Gailard, E. Praet and J. L. Vasel

Volume 9, Number 4, 1996

URI: <https://id.erudit.org/iderudit/705261ar>

DOI: <https://doi.org/10.7202/705261ar>

[See table of contents](#)

Publisher(s)

Université du Québec - INRS-Eau, Terre et Environnement (INRS-ETE)

ISSN

0992-7158 (print)

1718-8598 (digital)

[Explore this journal](#)

Cite this article

Reuter, V., Gailard, T., Praet, E. & Vasel, J. L. (1996). Potentialités des bioélectrodes et des bioréacteurs à biomasse fixée pour l'estimation rapide de la DBO. *Revue des sciences de l'eau / Journal of Water Science*, 9(4), 435–455. <https://doi.org/10.7202/705261ar>

Article abstract

BOD (Biochemical Oxygen Demand) is an important parameter to characterize organic pollution in aquatic environments and sewage. The five-day period required by the classical dilution method (BOD₅) is incompatible with real-time control of a sewage treatment plant. Moreover, the assay procedure (closed respirometer, very diluted samples) is not only far from real growing conditions but also far from conditions in sewage treatment plants.

Several devices for rapid BOD estimation, all based on respirometric methods, have been developed and tested. These devices can be grouped into 2 categories:

- an immobilized biomass plug-flow reactor and a bioelectrode, both based on a flow injection principle;
- an immobilized biomass perfectly mixed reactor, based on an open respirometer principle.

We have focused mainly on validating the principles, checking the measurement reliability, and defining more precisely the scope of the various devices.

The bioelectrode

The BOD bioelectrode that we developed relies on a classical configuration that uses a yeast strain (*Trichosporon cutaneum*) as the biological receptor and a Clark probe as the transducer.

The main changes made in this system are as follows:

- a second biomembraneless Clark probe was added to the 16-ml measuring cell to serve as a reference probe in order to remove experimental disturbances (temperature, oxygen transfer coefficient, dissolved oxygen concentration, etc.).

- the second change was to include the respirogram area among the data available for processing. The signal utilized in this set-up is the difference between the signals provided by the two probes.

Our conclusions are as follows:

- Concerning the signal processing, manufacturers are currently guided by the desire to develop devices able to estimate the BOD of a large range of substrates or effluents in a very short time (a few minutes for the newest devices). However, it seems useful, even necessary in many cases (complex mixtures of components that are oxidized at variable rates), to use information provided by the respirogram shape and area. This approach allows one to maximize the BOD bioelectrode's range for a given immobilized strain, although the trade-off is a longer total run time.

- Concerning the adaptation period for microorganisms, it is impossible to correctly estimate BOD from various effluents without first adapting the biomaterial to the type of substrate to be analyzed. Therefore it is dangerous to consider a BOD bioelectrode as an analytical instrument, because an adaptation period is required after any change in the composition or, even more so, type of effluent.

- Concerning the correspondence between rapid BOD and BOD₅, the BOD sensor can detect only the BOD of soluble compounds that can diffuse through the biomembrane and that will be metabolized during the time of analysis. The difference observed between BOD sensor and BOD₅ depends on the calibration solution but also and even more on the structure and size of the molecules constituting the sample to be analyzed.

- Concerning the choice of calibration solution, choosing the right calibration solution is crucial. The calibration solution should therefore be qualitatively as close as possible to the test sample.

The immobilized biomass bioreactors

The plug-flow reactor

The plug-flow reactor design was validated for simple substrates; its working principle is similar to the bioelectrodes, since it relies on flow-injection analysis (FIA). In the case of the plug-flow reactor, the only usable information for BOD estimation is the respirogram area, as the peak height quickly reaches a rather constant value due to saturation of the immobilized microorganisms. However, the importance of the many physical and biological processes that occur concomitantly in the system (transfer, adsorption, substrate consumption, substrate saturation phenomena, dilution rate, etc.) makes a theoretical mathematical model of the reactor more difficult to establish. A long-term, more fundamental study of various natural or artificial substrates might ultimately enable us to reach such a goal.

On the other hand, a variant of this reactor that recirculates the partially-degraded effluent until it is completely consumed yielded a linear correlation between system response (respirogram area) and substrate amount. In this system, oxidation of the rapidly biodegradable substrates is total under our operating conditions. This alternative reactor seems to have some very interesting possibilities, especially with regard to the automation of the system.

The perfectly mixed reactor

The utilization of the perfectly mixed reactor for rapid BOD estimation is based on two sequential experiments - although this has the disadvantage of increasing the total run time - to obtain the respirogram area (S) and oxygen transfer coefficient (K_La), as the units of the product (K_La x S) of these parameters are equivalent to those of oxygen demand and their product is the variable that best correlates with the substrate injection volume. This correlation was observed for a large range of substrates.

In the case of the perfectly mixed reactor, unlike bioelectrodes,

- diffusion processes have no effect on measurement, as the substrate is consumed completely during the experiment;

- the substrate consumption rate does not affect the measurements, thereby freeing the method from the influence of various experimental parameters (air flow-rate, the quantity of biomass, the liquid volume in the reactor, etc.), as our tests have shown.

For a given substrate, the linearity of the correlation between the product of K_La x S and the amount of substrate is generally excellent. The attempt to correlate the system's response with the BOD₅ measurements for a variety of substrates proved to be difficult, however. Although the bioreactor's analytical range is wider than that of bioelectrodes, the system still fails to give any measurable responses for complex substrates such as starch, cellulose, proteins, etc., and the K_La x S values estimated by the bioreactor remained much lower than the corresponding BOD₅ values. K_La x S is probably characteristic of the portion of the substrate that is degraded rapidly by the microorganisms to meet their immediate energy needs, whereas the remaining substrate is probably kept for reserve and biomass synthesis.

Potentialités des bioélectrodes et des bioréacteurs à biomasse fixée pour l'estimation rapide de la DBO

Potentialities of bioelectrodes and bioreactors with immobilized biomass for the rapid estimation of BOD

V. REUTER¹, T. GAILLARD¹, E. PRAET¹, J.-L. VASEL^{2*}

Reçu le 15 novembre 1995, accepté le 15 mai 1996*.

SUMMARY

BOD (Biochemical Oxygen Demand) is an important parameter to characterize organic pollution in aquatic environments and sewage. The five-day period required by the classical dilution method (BOD₅) is incompatible with real-time control of a sewage treatment plant. Moreover, the assay procedure (closed respirometer, very diluted samples) is not only far from real growing conditions but also far from conditions in sewage treatment plants.

Several devices for rapid BOD estimation, all based on respirometric methods, have been developed and tested.

Those devices can be classified in 2 categories:

- an immobilized biomass plug-flow reactor and a bioelectrode both based on a flow injection principle;
- an immobilized biomass perfectly mixed reactor based on an open respirometer principle.

We mainly focused on validating the principles, checking the measurement reliability, and defining more precisely the scope of the various devices.

The BOD bioelectrode that we developed relies on a classical configuration that uses a yeast strain (*Trichosporon cutaneum*) as the biological receptor and a Clark probe as the transducer.

The main changes made in this system are as follows:

- a second biomembraneless Clark probe was added to the 16 ml measuring cell to serve as a reference probe in order to remove experimental disturbances (temperature, K_L , dissolved oxygen concentration, etc.).

1. Fondation Universitaire Luxembourgeoise, 185, avenue de Longwy, 6700 Arlon, Belgique.

2. Faculté des Sciences Agronomiques, 2, Passage des Déportés, 5030 Gembloux, Belgique.

* Les commentaires seront reçus jusqu'au 29 août 1997.

– the second change was to include the respirogram's area among the data available for processing. The signal utilized in this set-up is the difference between the signals provided by the two probes.

Our conclusions are as follows:

Concerning the signal processing, manufacturers are currently guided by the desire to develop devices able to estimate the BOD of a large range of substrates or effluents in a very short time (a few minutes for the newest devices). However, it seems useful, even necessary in many cases (complex mixtures of components that are oxidized at variable rates), to use informations provided by the respirogram's shape and area. Those allow to maximize the BOD bioelectrode's range for a given immobilized strain, although the trade-off is a longer total run time.

Concerning the adaptation period for microorganisms, it is impossible to correctly estimate BOD from various effluents without first adapting the biomaterial to the type of substrate to analyze.

Therefore it is dangerous to consider a BOD bioelectrode as an analytical instrument, because an adaptation period is required after any change in the composition or, even more so, type of effluent.

Concerning the correspondence between rapid BOD and BOD₅, the BOD sensor can detect only the BOD of soluble compounds that can diffuse through the biomembrane and will be metabolized during the time of analysis.

The difference observed between BODsensor and BOD₅ depends on the calibration solution but also and even more on the structure and size of the molecules constituting the sample to analyze.

Concerning the choice of calibration solution, choosing the right calibration solution is crucial. The calibration solution should therefore be qualitatively as close as possible to the test sample.

The plug-flow reactor design was validated for simple substrates ; its working principle is similar to the bioelectrodes, since it relies on flow-injection analysis (FIA). In the case of the plug-flow reactor, the only usable information for BOD estimation is the respirogram's area, as the peak height quickly reaches a rather constant value due to saturation of the immobilized microorganisms. However, the importance of the many physical and biological processes that occur concomitantly in the system (transfer, adsorption, substrate consumption, substrate saturation phenomena, dilution rate, etc.) makes a theoretical mathematical model of the reactor more difficult to establish. A long-term, more fundamental study of various natural or artificial substrates might ultimately enable us to reach such a goal.

On the other hand, a variant of this reactor that recirculates the partially-degraded effluent until it is completely consumed yielded a linear correlation between system response (respirogram area) and substrate amount. In this system, oxydation of the rapidly biodegradable substrates is total under our operating conditions. This alternative reactor seems to have some very interesting possibilities, especially with regard to automating the system.

The utilization of the perfectly mixed reactor for rapid BOD estimation is based on two sequential experiments – although this has the disadvantage of increasing the total run time – to obtain the respirogram area (S) and oxygen transfer coefficient ($K_L \cdot a$), as the units of the product ($K_L \cdot a \cdot S$) of those parameters are equivalent to those of oxygen demand and their product is the variable that best correlates with the substrate injection volume. This correlation was observed for a large range of substrates.

In the case of the perfectly mixed reactor, unlike bioelectrodes:

- diffusion processes have no effect on measurement, as the substrate is consumed completely during the experiment;
- the substrate consumption rate does not affect the measurements, thereby freeing the method from the influence of various experimental parameters (air flow-rate, the quantity of biomass, the liquid volume in the reactor, etc.), as our tests have shown.

For a given substrate, the linearity of the correlation between the product of $K_L \cdot a \cdot S$ and the amount of substrate is generally excellent. The attempt to correlate the system's response with the BOD_5 measurements for a variety of substrates proved to be difficult, however. Although the bioreactor's analytical range is larger than that of bioelectrodes, the system still fails to give any measurable responses for complex substrates such as starch, cellulose, proteins, etc., and the $K_L \cdot a \cdot S$ values estimated by the bioreactor remained largely lower than the corresponding BOD_5 values.

$K_L \cdot a \cdot S$ is probably characteristic of the portion of the substrate that is degraded rapidly by the microorganisms to meet their immediate energy needs, whereas the remaining substrate is probably kept for reserve and biomass synthesis.

RÉSUMÉ

La méthode standard de détermination de la Demande Biochimique en Oxygène (DBO-5 jours par dilutions) présente certains inconvénients bien connus dont celui de ne pas être exploitable pour la gestion en temps réel d'un procédé d'épuration. De ce fait, divers types d'appareils d'estimation rapide de la DBO, basés sur des méthodes respirométriques, ont été imaginés dans le passé et même commercialisés pour certains.

Dans cette étude, des appareils d'estimation rapide de la DBO de type bioélectrode et réacteurs à biomasse fixée (écoulement piston et parfaitement mélangé) ont été mis en œuvre, après avoir été développés ou modifiés sur base de concepts déjà existants. Une attention particulière a été portée sur la validité de ces appareils, la crédibilité de leurs mesures et la définition de leur champ d'action.

De par leur principe de fonctionnement (injection en flux), la bioélectrode et le bioréacteur piston sont des appareils qui doivent être calibrés et dont la biomasse immobilisée doit être préalablement adaptée à l'échantillon à analyser. La solution de calibration est essentielle et doit être qualitativement la plus proche possible de l'échantillon à analyser.

Le bioréacteur parfaitement mélangé se distingue des deux premières méthodes car il travaille théoriquement en consommation totale du substrat. La méthode ne nécessite pas de calibration mais implique, avant toute mesure de respirogramme, la détermination d'un paramètre supplémentaire, le coefficient de transfert de l'oxygène.

De manière générale, la principale conclusion de l'étude réside dans la difficulté de ces appareils à fournir une DO (Demande en Oxygène) corrélable à la DBO_5 conventionnelle. Leur champ d'application reste en effet limité aux substrats rapidement biodégradables.

Leurs potentialités restent cependant conformes aux besoins de contrôle rapide des charges organiques polluantes en entrée et sortie des stations d'épuration.

NOTATION

DBO_5 : Demande Biochimique en Oxygène – 5 jours (mg/l)

DO : Demande en Oxygène (mg/l)

$K_L \cdot a$: Vitesse de transfert de l'oxygène (s^{-1})

S : Surface de la courbe en sac ($mg \cdot l^{-1} \cdot s$)

Q : Débit d'alimentation (l/min)

V_S : Volume de substrat injecté (l)

V_R : Volume d'eau du réacteur parfaitement mélangé (l).

1 – INTRODUCTION

La DBO (Demande Biochimique en Oxygène) est un paramètre essentiel pour la caractérisation de la pollution organique des eaux naturelles ou usées. La méthode normalisée de mesure (DBO_5 dilutions) consiste en une évaluation de la consommation en oxygène d'un échantillon après incubation de 5 jours (STANDARD METHODS, 1985). Cette méthode, ainsi que ses inconvénients, (MONTGOMERY, 1967) sont bien connus. En effet, la durée de 5 jours que nécessite la méthode est incompatible avec le suivi en temps réel d'un processus d'épuration. De plus, la mise en œuvre de l'essai (respiromètre fermé) est assez éloignée des conditions réelles de croissance et de dégradation.

De ce fait, divers instruments d'estimation rapide de la DBO, tous basés sur des méthodes respirométriques, ont été développés avec plus ou moins de succès (LAMB *et al.*, 1964 ; VERNIMMEN *et al.*, 1967 ; BLOK, 1974 ; BLOK, 1976 ; FARKAS, 1981 ; SUSCHKA et FERREIRA, 1986). Ces appareils peuvent se classer en diverses catégories selon leur mode de fonctionnement.

Un premier type d'instrument est basé sur un principe d'injection en flux (SPANJERS, 1994) et concernera deux des trois instruments que nous avons développés et qui seront examinés dans cette étude : un réacteur à biomasse immobilisée à écoulement piston et une bioélectrode suivant une configuration classique (biorécepteur et transducteur). Les bioélectrodes à DBO sont actuellement commercialisées au Japon (DKK Corporation, 1991) et en Allemagne (Medingen GmbH, 1994) notamment. La première tentative de développement a été réalisée par KARUBE *et al.* (1977a). Elles ont depuis été étudiées de multiples fois (KARUBE *et al.*, 1977b ; HIKUMA *et al.*, 1979, 1980a, 1980b ; KULIS et KADZIAUSKIENE, 1980 ; STRAND et CARLSON, 1984 ; RIEDEL *et al.*, 1988, 1990) et font encore l'objet d'investigations pour une meilleure maîtrise de leurs limites d'utilisation.

Un second type d'instrument, basé sur le principe du respiromètre ouvert, a été imaginé à l'origine par BLOK (1974) et inspirera le développement du troisième et dernier appareil de cette étude. Les divers travaux réalisés sur ce type de respiromètre ont, en outre, été récemment synthétisés dans la thèse de VAN ROLLEGHEM (1994). Ce type d'appareil est également commercialisé, par exemple, sous le nom de RODTOX (KELMA B.V. ; VAN ROLLEGHEM *et al.*, 1990).

Tout comme les bioélectrodes, les bioréacteurs d'estimation de la DBO sont des outils qui peuvent aussi être utilisés pour la mesure de toxicité.

L'objectif de cette étude est de comprendre les principes mis en jeu pour chaque type d'appareil ainsi que leurs limites d'utilisation. Cette discussion se fera en comparaison avec les DBO₅ obtenues au moyen de la méthode des dilutions. Nous essayerons également de définir les voies de recherches futures pour améliorer la fiabilité et le champ d'application de ces appareils.

2 – MATÉRIELS ET MÉTHODES

2.1 Réactifs et matériels

- Filtres stériles HA en nitrate de cellulose (0,45 µm), Millipore.
- Alginate de sodium haute et basse viscosité, Sigma Chemical Co.
- Oxygène Orbisphère (boîtier 2607, sonde 2115).
- Souche de levure *Trichosporon cutaneum* TC8681, MUCL, de l'université de Louvain-La-Neuve (Belgique).
- Boues activées du bassin d'aération de la station d'épuration d'Arlon (Belgique).

2.2 Méthodes

2.2.1 Mesure de la DBO₅

La DBO₅ par dilutions est mesurée conformément à la procédure décrite dans le « STANDARD METHODS » (1985).

Pour toutes les solutions synthétiques utilisées, les bouteilles DBO sont ensemencées avec le surnageant d'une boue activée préalablement adaptée pendant une nuit au substrat à analyser.

2.2.2 Immobilisation de la biomasse

Préparation des billes d'alginate pour les bioréacteurs

Les bioréacteurs décrits en 2.2.3 et 2.2.4 utilisent comme biocomposant une boue activée immobilisée dans des billes d'alginate. Après centrifugation et deux lavages à l'eau de ville, les boues sont introduites dans une solution d'alginate de sodium à raison de 1 g pour 3 ml d'alginate. La gélification des billes est obtenue par un écoulement goutte-à-goutte de la suspension dans une solution de CaCl₂ 0,1 M. Le diamètre de l'embout de la pipette déterminera le diamètre des billes formées. Ce diamètre ainsi que la composition en alginate des billes est fonction du type de bioréacteur. Pour le réacteur parfaitement mélangé, une solution d'alginate basse viscosité 20 g/l est utilisée et les billes ont un diamètre de 2 à 3 mm. En ce qui concerne le réacteur à écoulement piston, un mélange d'alginate haute viscosité (5 g/l) et basse viscosité (15 g/l) a été employé de manière à augmenter la résistance des billes. Les billes produites dans ce cas ont un diamètre de 5 mm.

Les billes formées sont ensuite placées une nuit à 4 °C dans une solution de CaCl_2 0,05 M avant utilisation.

Lors d'une utilisation intensive, la durée de vie des billes d'alginate est respectivement de 30 jours pour le réacteur parfaitement mélangé et de 40 jours pour le réacteur à écoulement piston.

Préparation des biomembranes

La souche *Trichosporon cutaneum* est cultivée sous aération et agitation constantes à 36 °C pendant 36 à 48 heures dans un milieu composé de 3 g d'extrait de malt, 3 g d'extrait de levures, 5 g de polypeptone et 1 g de glucose dans un litre d'eau distillée.

En fin de phase de croissance exponentielle, un volume de 3 ml de culture est filtré stérilement sur une membrane en nitrate de cellulose (porosité 0,45 μm). Un anneau (découpé dans une membrane de nitrate de cellulose 0,45 μm) et une seconde membrane (nitrate de cellulose 0,45 μm) sont ensuite collés par dessus le filtre biologique afin de permettre un confinement des levures. Après préparation, le biorécepteur ainsi constitué est conservé stérilement à 4 °C ou directement appliqué sur la sonde à oxygène à l'aide d'une bague de fixation. La durée de vie de la biomembrane en utilisation intensive est d'environ deux mois. Conservée à 4 °C, la durée de vie est d'au moins 8 mois.

2.2.3 Le bioréacteur piston à biomasse immobilisée

Le réacteur expérimental à écoulement piston est schématisé à la figure 1.

Au début de l'expérience, une eau de distribution saturée en oxygène circule à débit constant dans un réacteur tubulaire (volume : 0,65 litre ; longueur : 5,5 mètres) contenant les micro-organismes immobilisés (volume total de billes : 0,3 litre). Une électrode à oxygène (électrode de Clark) dont le temps de réponse est de 30 secondes permet de mesurer la concentration en oxygène dissous en sortie de réacteur. Lorsque l'on alimente le réacteur avec de l'eau de ville saturée en oxygène, on aboutit à la sortie à un état stationnaire, la diminution de la teneur en oxygène dissous entre l'entrée et la sortie résultant de la respiration endogène de la biomasse immobilisée. Lorsqu'un échantillon est injecté dans le système, le ou les substrats biodégradables sont assimilés par les micro-organismes. Cette consommation induit une augmentation de la respiration, répercutée en sortie du réacteur par une diminution de la concentration en oxygène dissous.

L'élimination du substrat résulte de deux facteurs :

- sa consommation partielle par les micro-organismes,
- la dilution progressive, suite à l'injection continue d'eau de ville saturée en oxygène après l'injection de l'échantillon à analyser.

De par ces mécanismes, la respiration microbienne diminue progressivement et l'état endogène est restauré.

La figure 2 nous montre un exemple de l'évolution en oxygène dissous lors de l'injection de substrat. La surface de la courbe en sac et la valeur maximale du déficit en oxygène, encore appelée hauteur de pic, sont des variables pouvant être exploitées pour l'estimation de la DBO.

L'objectif est ici de valider le principe de la méthode en essayant de dégager une relation liant la quantité de substrat injectée dans le réacteur et les informations exploitables fournies par le système. Cette validation sera réalisée sur un type de substrat complexe : la bière.

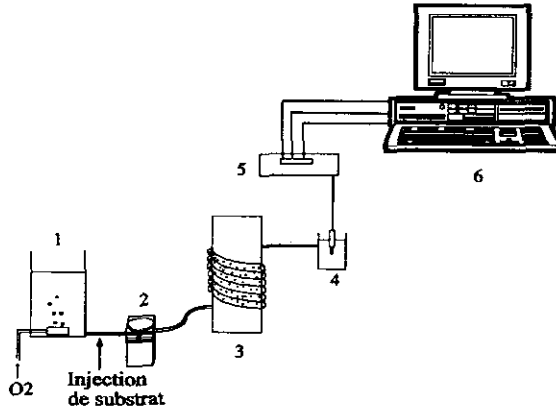


Figure 1 Représentation du réacteur piston.
1. Aérateur ; 2. Pompe péristaltique ; 3. Réacteur ; 4. Sonde O_2 ; 5. Oxymètre ; 6. Micro-ordinateur.

Plug flow reactor representation.

1. Aerator ; 2. Peristaltic pump ; 3. Reactor ; 4. O_2 probe ; 5. Oxymeter ; 6. Computer.

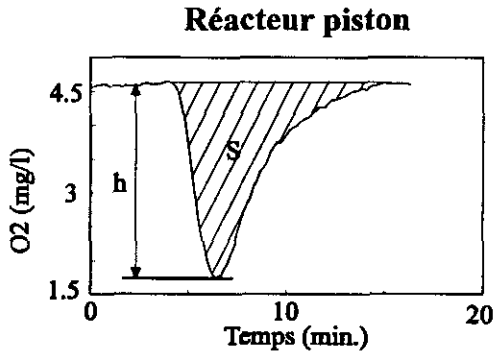


Figure 2 Exemple de réponse obtenue avec le réacteur piston.
Example of plug flow reactor response.

2.2.4 Le réacteur parfaitement mélangé à biomasse fixée

Le dispositif de mesure de la DBO par réacteur parfaitement mélangé est illustré à la figure 3.

Le réacteur (1,25 litre) consiste en un tube vertical contenant de l'eau de ville (0,7 litre) et de la boue activée immobilisée dans des billes d'alginate (volume total de billes : 0,3 litre). L'aération et le mélange sont assurés par une injection d'air à travers une pierre poreuse fixée dans le bas du réacteur. L'expérience comporte deux étapes. Tout d'abord, on détermine le coefficient de transfert de l'oxygène ($K_L a$) en présence de biomasse. La procédure de détermination du

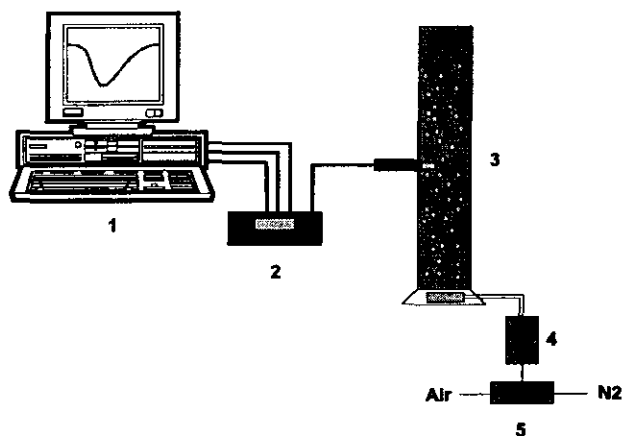


Figure 3 Représentation du réacteur parfaitement mélangé.
 1. Micro-ordinateur ; 2. Oxymètre ; 3. Réacteur ; 4. Aérateur ; 5. Vanne air/N₂.
Perfectly mixed reactor representation.
 1. Computer ; 2. Oxymeter ; 3. Reactor ; 4. Aerator ; 5. Air/N₂ inlet.

$K_L a$ est classique : le réacteur est d'abord désoxygéné par injection d'azote, puis réaéré. La courbe de réaération est enregistrée puis traitée par méthode semi-logarithmique (FARKAS, 1981 ; VASEL *et al.*, 1991) pour le calcul du $K_L a$.

Un échantillon à analyser, saturé en oxygène, est ensuite introduit dans le réacteur après avoir préalablement retiré un volume équivalent de liquide du réacteur.

Après l'injection du substrat, l'activité de la biomasse augmente et la concentration en oxygène dissous diminue. Lorsque toute la fraction de substrat dégradable dans les conditions de l'essai a été consommée, la respiration des micro-organismes diminue et la concentration en oxygène dissous revient progressivement à sa valeur initiale. La courbe finale obtenue est une courbe en sac classique dont la surface peut être utilisée pour déterminer la DBO. Il a en effet été démontré (FARKAS, 1981 ; VASEL *et al.*, 1991) que la surface de la courbe en sac ($\text{mg.l}^{-1}.\text{s}$) multipliée par le $K_L a$ (s^{-1}) a la dimension d'une demande en oxygène. Ces variables seront déterminées, en relation avec d'autres facteurs qui peuvent influencer la mesure. La méthode sera testée pour des substrats artificiels et des effluents réels. La possibilité d'établir et d'utiliser une régression générale entre la DBO₅ et la DBO rapide (DO) sera envisagée et discutée. La possibilité d'utiliser la hauteur de la courbe en sac pour la détermination de la DO sera également examinée.

2.2.5 Bioélectrode d'estimation de la DBO

La bioélectrode utilisée est intégrée dans le dispositif décrit en figure 4. La cellule de mesure contient, en plus de la sonde microbienne, une sonde oxygène, non modifiée, qui servira de référence et permettra d'éliminer les variations opératoires (t° , $[\text{O}_2]$ à saturation, ...). L'électronique de l'oxymètre a été modifiée pour permettre la mesure alternative de deux signaux ampérométriques (μA). Un micro-ordinateur assure la permutation et enregistre les deux signaux ainsi que leur différence (fig. 5). Les paramètres propres à ce respirogramme différentiel (hauteur et surface) peuvent être utilisés pour les déterminations de DBO.

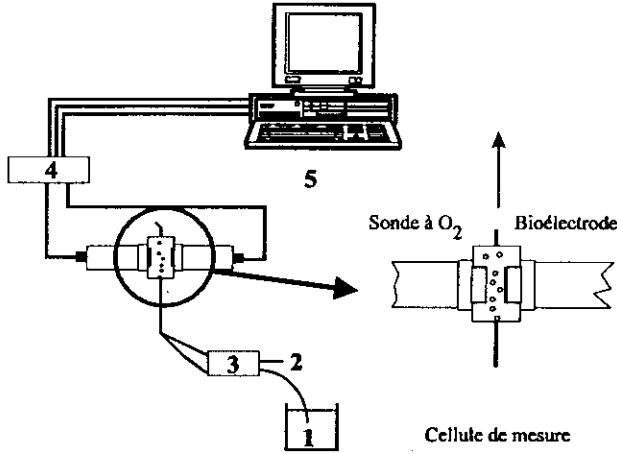


Figure 4 Montage du dispositif bioélectrode.
 1. H₂O ou substrat ; 2. Air ; 3. Pompe ; 4. Oxymètre 5. Ordinateur.
Bioelectrode device.
 1. H₂O or substrate ; 2. Air ; 3. Pump ; 4. Oxymeter ; 5. Computer.

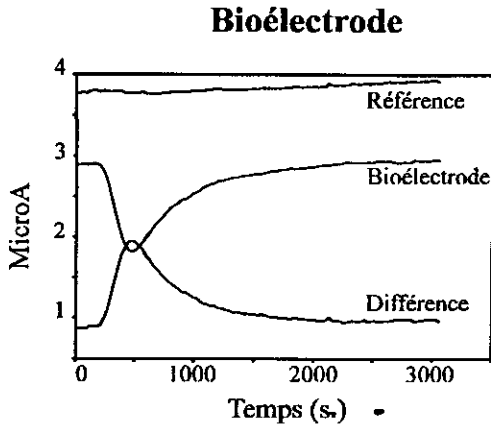


Figure 5 Réponses enregistrées pour le dispositif bioélectrode
Recorded responses for the bioelectrode device.

Le principe de mesure est basé sur un processus d'injection en flux comme pour le réacteur piston décrit en 2.2.3. En début d'expérience, une solution tampon phosphate (pH 7, 0,025 M) et de l'air sont apportés en continu dans la cellule de mesure au moyen d'une pompe péristaltique. L'air injecté assure à la fois l'aération et le mélange complet dans la cellule. L'oxygène diffuse à travers la membrane et est consommé à taux constant par les levures immobilisées. La fraction non consommée est mesurée par la sonde à oxygène de la bioélectrode et demeure constante lorsque le système est à l'état stationnaire.

Lorsque le substrat, éventuellement dilué dans le tampon phosphate, est injecté, il diffuse également dans la membrane, provoquant un accroissement de la consommation en oxygène. L'allure générale du respirogramme est similaire à celle obtenue avec le réacteur piston. Le processus étant contrôlé par la diffusion (KARUBE et al., 1977 a et b), le signal doit être proportionnel à la concentration en substrat. De par le principe de mesure décrit et la variabilité de l'activité de la biomasse immobilisée, une calibration journalière est indispensable. Celle-ci est réalisée avec un mélange standard de glucose (0,68 g/l) et d'acide glutamique (0,68 g/l) pour lequel nous avons déterminé une DBO_5 de $903 \text{ mg/l} \pm 40$. Cette valeur est inférieure à celle de $1\,000 \text{ mg/l} \pm 45$ fournie par la norme japonaise JIS KO102 (1993). Notre mesure est cependant confirmée dans le STANDARD METHODS (1985) qui reporte une valeur pratique de $897,6 \text{ mg/l}$.

Notons encore que les volumes d'échantillons injectés et de cellule de mesure sont respectivement de 25 et 16 ml. Le rapport de ces volumes régit la sensibilité, le temps d'analyse et la gamme de travail du système.

Notre objectif sera ici de valider le principe de mesure des bioélectrodes sur divers substrats simples et complexes et d'essayer de définir les limites d'utilisation du protocole actuel, notamment le problème de la calibration. Dans cette optique, nous essayerons également de définir les voies de recherche futures dans le but d'améliorer le champ d'application et la fiabilité de ces appareils.

2.2.6 Informatisation

Le traitement automatique des données est réalisé par un ordinateur équipé d'une carte d'acquisition 12 bits type RTX03A. Le signal de l'oxymètre est digitalisé toutes les trente secondes et suivi à l'écran. En fin d'expérience, le déficit maximum et la surface de la courbe en sac sont automatiquement calculés et les données, résultats et conditions expérimentales sont enregistrés automatiquement dans un fichier.

3 – RÉSULTATS ET DISCUSSION

3.1 Exploitation du réacteur à écoulement piston

L'ensemble des essais effectués sur deux semaines et portant sur le bioréacteur à écoulement piston est réalisé avec :

- les mêmes billes d'alginate (biomasse fixée) ;
- la bière Piedboeuf blonde comme unique substrat et dont la DBO_5 a été mesurée à $23\,600 \text{ mg/l} \pm 500$ ($n = 12$).

Lorsqu'elles ne sont pas utilisées, les billes sont conservées au réfrigérateur dans une solution 50/50 de bière et CaCl_2 0,05 M.

Le débit d'alimentation offrant un bon compromis entre le temps de mesure et le temps de contact des micro-organismes avec le substrat a été fixé à 140 ml.min^{-1} (temps de séjour de 90 secondes). Notons en outre qu'il est dangereux d'augmenter trop fortement le débit d'alimentation sous peine de provoquer un colmatage du réacteur par la biomasse immobilisée.

Les figures 6A et 6B représentent respectivement les surfaces et hauteurs moyennes de respirogrammes pour chaque volume de substrat injecté, ainsi que leur écart-type correspondant. Notons que les moyennes et les écart-types calculés sont représentatifs de cinq essais par volume testé.

La courbe « des surfaces » (fig. 6A) possède une allure présentant une asymptote horizontale, aucune zone linéaire n'étant observée, même pour les faibles volumes injectés. Cette répartition des points traduit manifestement l'apparition d'un phénomène de saturation lorsque les volumes de substrat injectés atteignent des valeurs élevées. Ce phénomène est probablement lié :

- aux propriétés intrinsèques du métabolisme microbien (cinétique de transfert du substrat, vitesse limitante d'une étape enzymatique, inhibition, stockage du substrat, etc.) ;
- aux propriétés physico-chimiques des billes d'alginate (capacité de diffusion et de rétention du substrat, etc.).

Quand un bioréacteur de digestion, conçu sur un principe à écoulement piston, fonctionne à saturation, seule une partie de la fraction biodégradable du substrat est consommée. L'autre partie est évacuée hors du réacteur, intacte ou partiellement dégradée. Dans ces conditions, la réponse enregistrée n'est plus parfaitement proportionnelle à la quantité de substrat injectée.

Le temps de mesure du système étant au moins supérieur au temps de séjour du liquide dans le réacteur, le respirogramme intègre forcément l'ensemble des influences conjuguées des différents phénomènes biologiques et physico-chimiques impliqués, ce qui rend son interprétation relativement délicate.

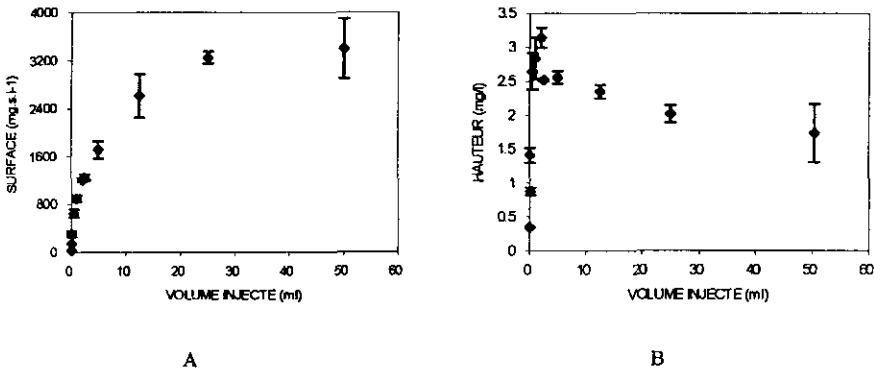


Figure 6 Surfaces (A) et hauteurs (B) de pic en fonction du substrat (bière) injecté pour le réacteur piston.

Peak areas (A) and heights (B) vs. injected volume of substrate (beer) for the plug-flow reactor.

L'interprétation de la seconde courbe (fig. 6B), relative au « déficit » maximal ne se heurte pas, quant à elle, à tant de complexité. Le déficit nous renseigne sur un état ponctuel du système, il est maximum lorsque la respiration biologique est la plus intense. La courbe « des déficits » se partage en deux portions distinctes. Tout d'abord, sur la gauche de la figure 6B, la valeur du déficit croît avec le volume de substrat injecté. En d'autres termes, la vitesse de respiration maximale

augmente avec la quantité de substrat disponible, en parfait accord avec les lois fondamentales qui régissent la croissance microbienne. Ensuite, la courbe s'infléchit et la hauteur de pic diminue lorsque le volume injecté augmente. Ce cas de figure correspond à une inhibition de la respiration des micro-organismes, très probablement due à une concentration excessive de substrat, à l'apparition d'un intermédiaire du catabolisme ou, quoique moins probable, à la présence d'une substance légèrement toxique contenue dans le substrat.

Les résultats obtenus justifient donc le bien fondé de la méthode, mais limitent le choix des données à exploiter à la surface de la courbe en sac. En effet, l'inversion de la tendance constatée sur les courbes relatives au déficit en O₂ rend cette mesure particulièrement délicate à exploiter. Il est donc préférable de l'écartier au profit de l'autre information qui montre une évolution régulière, beaucoup plus exploitable et d'autant plus précise que l'on travaille loin de la saturation caractéristique du substrat étudié.

Le temps de mesure relatif à la méthode est court : de 10 à 40 min pour une mesure complète (nettoyage du réacteur compris) selon le volume injecté et donc la quantité de matière biodégradable introduite.

De par le principe du réacteur, deux facteurs régissent la précision de la méthode d'estimation de la DBO :

- le débit d'alimentation qui influence le temps de contact entre les matières biodégradables et les micro-organismes ;
- la variabilité de l'activité des micro-organismes dans le temps, ce qui théoriquement impose une calibration régulière de l'appareil avec un substrat donné.

Une alternative très intéressante du réacteur à écoulement piston a été imaginée afin de permettre de s'affranchir de la nécessité de réaliser une calibration régulière de l'appareil. La variante consiste à faire fonctionner l'appareil en circuit fermé par recirculation de l'effluent partiellement dégradé sortant du réacteur. Le système fonctionne cette fois en consommation totale de substrat et le respirogramme enregistré présente l'allure d'une courbe en sac à fond plat caractéristique (fig. 7) : la biomasse, mise en présence de substrat de manière prolongée respire à une vitesse proche de son maximum pendant toute la durée du processus de dégradation. Ceci permet en outre d'expliquer pourquoi la mesure du déficit en oxygène du nouveau respirogramme n'est pas exploitable (valeur constante en fonction du volume injecté). Par contre, comme représenté en figure 8, la quantité de substrat injecté et la surface de la courbe en sac sont linéairement corrélés ($r^2 = 0,999$; $n = 6$). Cette méthode, tout en offrant de très larges perspectives, allonge nettement le temps de mesure : respectivement de 45 min à 3 heures pour des volumes de 1 à 5 ml. Il est cependant manifeste que lors de l'analyse d'effluents naturels de DBO largement inférieure à celle de la bière, les quantités de matières organiques injectées pour un volume donné sont moindres et ne nécessitent donc pas un temps d'analyse aussi long. Avec cette méthode, la demande en oxygène s'exprime de la façon suivante :

$$DO(\text{mg/l}) = \frac{S(\text{mg} \cdot \text{l}^{-1} \cdot \text{min}) \cdot Q(\text{l} \cdot \text{min}^{-1})}{V_s(\text{l})} \quad (1)$$

La relation $DO = 0,3 \cdot DBO_5$ est obtenue pour la bière mais doit encore être vérifiée pour toute une série de substrats différents, comme cela a été effectué pour le réacteur parfaitement mélangé.

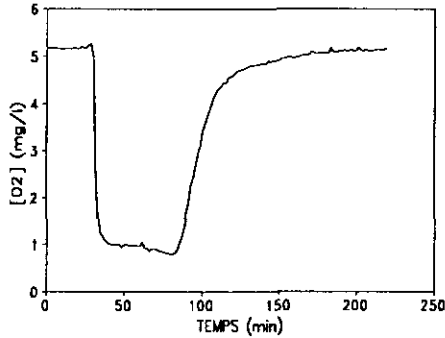


Figure 7 Respirogramme caractéristique du réacteur piston en recirculation.
Respirogram characteristic of the plug flow reactor with recirculation.

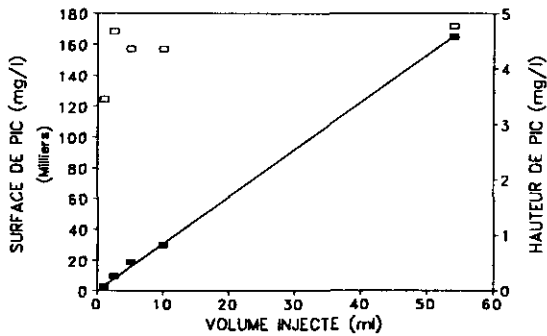


Figure 8 Surface (■) et hauteur de pic (□) en fn. du volume de substrat injecté (bière) pour le réacteur piston en recirculation.
Peak area (■) and height (□) vs. substrate volume (beer) injected for the plug-flow reactor with recirculation.

3.2 Validité du réacteur parfaitement mélangé pour l'estimation rapide de la DBO

La figure 9A illustre, pour deux substrats différents (acétate de sodium et poudre de lait), les variations de la valeur du déficit en oxygène en fonction de la quantité de substrat injectée. Les limites de la méthode apparaissent clairement :

- le déficit en oxygène dépend de l'apport d'oxygène (donc du $K_L \cdot a$) mais aussi de la vitesse maximale de respiration atteinte au cours de chaque essai et, par conséquent, il dépend à la fois de la quantité de substrat présente dans le réacteur et de ses propriétés de dégradabilité ;
- lorsque la quantité de substrat injectée dans le réacteur augmente, la vitesse de respiration ne peut s'accroître au-delà d'une certaine limite : la vitesse de respiration à saturation, cette vitesse est susceptible de varier en fonction de la nature du substrat.

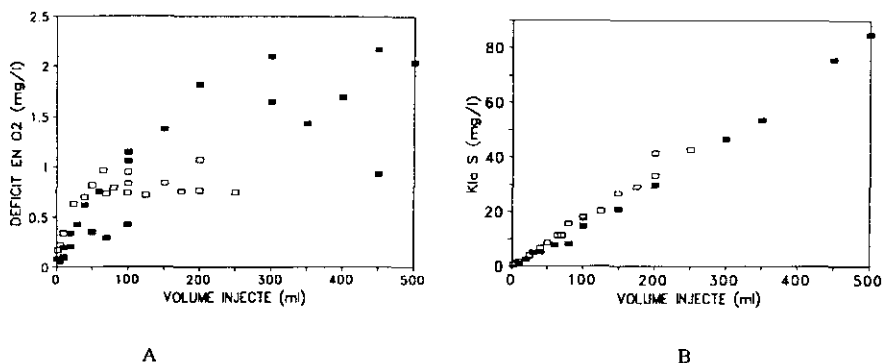


Figure 9 Déficients en O_2 et valeurs de $(K_{L,a} \times \text{Surface de pic})$ en fonction du volume de substrat injecté pour :
 □, l'acétate de sodium 1 g/l (DBO_5 : 440 mg/l) ;
 ■, la poudre de lait 1 g/l (DBO_5 : 745 mg/l).

Peak height and values of the $(K_{L,a} \times \text{peak area})$ product vs injected substrate volume for:

□, sodium acetate 1 g/l (BOD_5 : 440 mg/l) ;
 ■, milk powder 1 g/l (BOD_5 : 745 mg/l).

Pour ces deux raisons, l'emploi de la valeur du « déficit » maximal en O_2 est délicat. Il a été jugé préférable de l'abandonner au profit de la seconde méthode basée sur la mesure du $K_{L,a}$ et de la valeur de la surface de la courbe en sac (S) comme le montre la figure 9B. Elle permet en effet de constater qu'il existe une relation linéaire entre la réponse du système ($K_{L,a} \cdot S$) et la quantité de matière organique injectée. Le tableau 1 fournit les caractéristiques des régressions linéaires obtenues pour divers substrats ou effluents et les DBO_5 correspondantes. Notons que le résultat relatif à la bière doit être considéré avec beaucoup de précautions car son pouvoir moussant affecte la taille des bulles et donc le $K_{L,a}$.

Tableau 1 Valeurs des DBO_5 et des réponses fournies par le réacteur parfaitement mélangé pour différents types de substrats.

Table 1 BOD_5 values and responses obtained with the perfectly mixed reactor for various substrates.

Substrats	Nombre de points	Pente ($mg \cdot l^{-1} \cdot ml^{-1}$)	Coefficient de détermination R^2	DBO_5 (mg/l) Méthode des dilutions
1 Acétate de sodium 1 g/l	17	0,177	0,982	440 ± 10
2 Bière blonde (Piedbœuf)	4	2,267	0,671	23 600 ± 500
3 Poudre de lait 1 g/l	14	0,161	0,991	745 ± 22
4 Poudre de lait 5 g/l	8	0,741	0,949	3 725 ± 110
5 Glucose + acide glutamique 16,7 g/l	4	2,392	0,961	22 840 ± 245
6 Glucose + acide glutamique 0,5 g/l	3	0,053	0,999	684 ± 7
7 Effluent d'entrée du décanteur de la station d'Arlon 09/05/94	7	0,132	0,967	210 ± 10
8 Effluent de l'abattoir de Bertrix 22 et 23/06/94	7	0,171	0,991	920 ± 30
9 Glucose 5 g/l	5	0,489	0,999	2 770 ± 150
10 Glucose 50 g/l	4	2,957	0,838	27 700 ± 1 500

A partir des points correspondant à un nombre représentatif d'essais ($n > 4$), il apparaît naturel d'analyser la relation qui peut exister entre la réponse fournie par le système et la DBO_5 du substrat testé, quelle que soit la nature de ce dernier. Cette relation est représentée en figure 10 et permet d'observer une tendance globale qui vérifie une corrélation linéaire acceptable entre la réponse du système et la valeur de la DBO_5 ($r^2 = 0,936$).

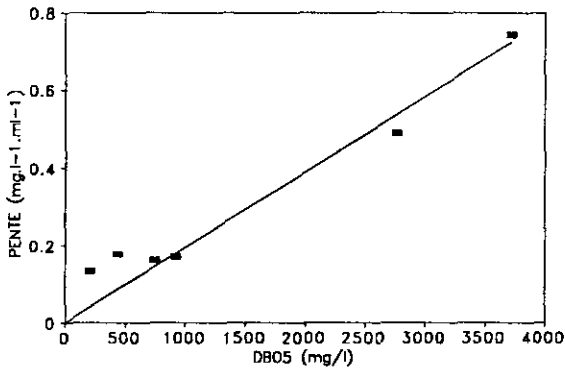


Figure 10 Réponse obtenue par la méthode des K_L .a.S pour le réacteur parfaitement mélangé lors de l'ajout d'1 ml d'échantillon en fonction de la DBO_5 du substrat testé.

Response with K_L .a.S method for perfectly mixed reactor during addition of one ml of sample vs BOD_5 of tested substrate.

A partir de la pente calculée (pente = $19,4 \cdot 10^{-5} \text{ ml}^{-1}$) et du volume d'eau contenu dans le réacteur (0,7 l), il est possible d'exprimer la DBO_5 d'un substrat en fonction de la demande en oxygène dans le bioréacteur, notée DO et pouvant être théoriquement calculée de la manière suivante :

$$DO = \frac{K_L \cdot a \cdot S \cdot V_R}{V_s} \quad (\text{mg/l}) \quad (2)$$

La relation peut être pratiquement obtenue comme suit :

$$DO = 19,4 \cdot 10^{-5} \cdot 0,7 \cdot 1000 \cdot DBO_5$$

$$\text{soit encore } DO = 0,136 \cdot DBO_5 \quad (3)$$

D'autres relations ont été proposées dans la littérature pour l'estimation rapide de la DO par bioréacteur parfaitement mélangé.

Ainsi, SUSCHKA et FERREIRA (1986) proposent la formule : $DO = 0,45 \cdot DBO_5$ (4)

FARKAS (1981) propose quant à lui la formule suivante :

$$DO = 1,04 \cdot DBO_5 - 9,04 \quad (5)$$

Force est de constater la nette différence des résultats proposés par les auteurs. On peut cependant tenter d'y apporter un élément d'explication en évoquant les différences expérimentales utilisées par les auteurs. En effet, des paramètres tels que le type (culture pure de bactéries, levures, boues activées,...) et l'âge de la biomasse, la nature et la concentration du substrat, le rapport entre la charge appliquée et la quantité de biomasse (charge massique), etc., détermi-

nent la proportion du substrat consommé qui sera totalement oxydé et la proportion qui participera à la synthèse de biomolécules ou de nouvelles cellules. Dans ces conditions et sachant que le principe de la méthode est basé sur une mesure de l'oxygène consommé, c'est-à-dire du substrat oxydé, on comprend comment de telles différences peuvent apparaître entre les résultats des différents auteurs.

Cette méthode, basée sur la mesure du produit $K_L \cdot a \cdot S$, est relativement simple, offre une gamme de travail très large et possède l'avantage d'être indépendante de différents paramètres expérimentaux tels que le débit d'air injecté, le volume de réacteur, la quantité de biomasse... Malgré la valeur avancée, il semble délicat d'établir une relation générale entre la réponse du système et la DBO_5 d'un substrat quelconque :

- la régression obtenue, quoique acceptable, repose sur trop peu de points et surtout sur trop peu de substrats différents ;
- certains substrats complexes tels que des protéines, lipides,... ne sont pas ou peu dégradés par les micro-organismes du réacteur dans les conditions expérimentales utilisées ;
- par exemple à la figure 9B, on constate une pente semblable pour les 2 substrats alors que leurs DBO_5 varie presque du simple au double.

3.2 Validité de la bioélectrode pour l'estimation rapide de la DBO

Signalons pour commencer qu'avant toute mesure correcte, une nouvelle biomembrane, qu'elle ait été fraîchement fabriquée ou conservée durant plusieurs mois, doit être conditionnée. Ce conditionnement prend de 4 à 5 jours et se divise en deux étapes :

- une phase d'activation pendant laquelle la membrane est placée durant 24 heures dans une solution concentrée de glucose/acide glutamique aérée ;
- une phase d'adaptation pendant laquelle, la membrane est placée dans le dispositif expérimental. Le protocole d'injection de substrat est appliqué jusqu'à reproductibilité des réponses avec le substrat à analyser, le premier substrat étant souvent la solution de calibration.

Cette phase d'adaptation est également nécessaire lors de tout changement de substrat, mais on constate qu'elle est généralement plus courte (1 à 2 jours). Néanmoins, selon la complexité de l'échantillon à analyser quelques jours supplémentaires d'adaptation sont parfois nécessaires. Ainsi, des résultats corrects ne peuvent être obtenus pour une eau usée domestique qu'après une période de 4 à 5 jours, période qui est fortement réduite lorsque la biomembrane a déjà subi une première adaptation.

Cette période d'adaptation imposée suite à tout changement de substrat constitue bien entendu une limitation sérieuse à l'usage analytique de l'appareil.

En sus des hauteurs et des surfaces de pic calculées automatiquement par notre dispositif et exploitables pour les estimations rapides de DBO, nous avons également calculé la pente de la partie linéaire décroissante de nos respirogrammes différentiels, pente qui peut s'assimiler à une vitesse initiale de respiration. Ces trois informations ont pu être linéairement corrélées à la concentration en matière organique biodégradable injectée, mais présentent des gammes de travail très différentes. Ainsi, pour la solution de calibration de glucose et d'acide glutamique en mélange, les droites de calibration sont linéaires entre des DBO_5 de 0 à 25 mg/l pour la vitesse initiale, 0 à 60 mg/l pour la hauteur de pic et 0 à 90 mg/l pour la surface de pic. Ces gammes, qui peuvent varier selon le substrat

envisagé, tendent à montrer que le champ d'analyse d'un échantillon multi-composants pourrait être le plus restreint avec la vitesse initiale et se limiter au composant le plus facilement biodégradable. Ce type de traitement au moyen de la vitesse initiale, qui permet certes de diminuer le temps d'analyse, n'est pas très adapté à notre dispositif pour des raisons de sensibilité et a été abandonné au profit de la hauteur et surtout de la surface de pic, cette dernière présentant la gamme de travail la plus large.

Les DBO estimées reprises dans le tableau 2 ont été calculées à partir d'une calibration journalière avec une solution de glucose/acide glutamique en trois points (20, 40 et 60 mg/l) respectant à la fois les zones de linéarité des droites de calibration définies par les hauteurs de pic et celles définies par les surfaces. Pour chacun des substrats envisagés, une étude de linéarité tant en hauteur qu'en surface de pic a été réalisée, de sorte que tous les résultats repris dans le tableau 2 sont des mesures comprises dans la gamme de linéarité des deux méthodes. Chaque valeur reprise dans ce tableau est une moyenne des diverses mesures effectuées sur une même journée, le nombre de mesures ainsi que l'écart-type étant également mentionnés.

Le glucose donne de bonnes réponses mais une courte période d'adaptation (1 ou 2 jours) est nécessaire avant d'obtenir une mesure reproductible, ce qui peut sembler surprenant, vu la présence de glucose dans la solution de calibration.

Il apparaît de plus qu'après adaptation, la première mesure consécutive à la calibration reste malgré tout plus faible que les autres et nous n'en tenons pas compte dans les moyennes.

L'acétate de sodium pose, quant à lui, d'autres problèmes. La période d'adaptation est longue (2 à 3 jours), et ceci même si des essais précédents ont déjà été mis en œuvre. Une fois cette période terminée, on constate une DBO estimée très largement supérieure à la DBO₅. Ces résultats confirment les observations réalisées par HIKUMA *et al.* (1979) et tendent à montrer que le taux d'oxydation de l'acétate de sodium est beaucoup plus important que celui du mélange glucose/acide glutamique. La calibration avec le mélange glucose/acide glutamique n'est donc pas correcte pour ce type de substrat.

Pour des substrats plus complexes, de grandes différences dans la corrélation des réponses avec la DBO₅ sont observées. La bière donne des résultats très largement surestimés. Une raison pourrait être le fort taux d'oxydation de l'alcool éthylique (HIKUMA *et al.*, 1979), mais son pourcentage dans la bière est trop faible pour expliquer l'importance de cette surestimation. Ces résultats sont confirmés par les réponses de l'eau d'entrée de la station d'épuration de la brasserie d'Orval, elles aussi très largement surestimées.

Pour la poudre de lait, même après plusieurs jours d'adaptation, les réponses sont sous-estimées. Dans ce cas, la difficulté de dégradation de certains composés organiques est prépondérante. De plus, on observe, pour ce substrat, un respirogramme comportant deux pics, caractéristique d'un phénomène qui pourrait s'apparenter à une diauxie : la consommation des composés plus difficiles commencerait lorsque les composés facilement dégradables ont disparu. Le sérum de la fromagerie d'Orval donne également des valeurs sous-estimées, au moins pour la hauteur de pic. La réponse en surface qui, elle, donne une valeur correcte, suggère que les composés présents dans le sérum sont plus facilement dégradables que ceux du lait, ce qui est logique. On remarquera qu'après épuration de ces deux effluents (brasserie et fromagerie), les valeurs données par la bioélectrode sont correctes.

Tableau 2 Résultats obtenus pour différents substrats.**Table 2** Results obtained for different substrates.

Glucose 1 g/l → DBO₅ : 554 mg/l				
Nombre de mesures	Hauteur de pic (moyenne)	σ	Surface (moyenne)	σ
1	465	–	418	–
3	686	55,6	464	60,4
7	544	28,9	469	39,3
4	707	47,5	623	120
Acétate de sodium 0,32 g/l → DBO₅ : 141mg/l				
Nombre de mesures	Hauteur de pic (moyenne)	σ	Surface (moyenne)	σ
2	253	41,7	315	78,5
2	467	41	389	18,4
2	780	63,6	596	105
Bière blonde Piedbœuf → DBO₅ : 23 600 mg/l				
Nombre de mesures	Hauteur de pic (moyenne)	σ	Surface (moyenne)	σ
2	138 166	8 577	106 940	1 226
3	138 858	2 300	94 312	2 899
Poudre de lait 1 g/l → DBO₅ : 745 mg/l				
Nombre de mesures	Hauteur de pic (moyenne)	σ	Surface (moyenne)	σ
2	219	33,9	266,5	142,1
3	120	30,4	141	43,1
3	165	26,8	202	33
2	212,5	31,8	169	18,4
Eaux de la station d'épuration d'Orval (brasserie et fromagerie)				
Origine de l'échantillon	Hauteur de pic	Surface	DBO ₅ mesurée (mg/l)	
Sortie	27,5	20	24	
Entrée brasserie	2 374	1 340	540	
	3 869	6 374	540	
Sérum fromagerie	24 461	43 633	42 800	
Eaux d'entrée de la station d'épuration d'Arion				
Hauteur de pic (moyenne)	σ	Surface (moyenne)	σ	DBO ₅ mesurée (mg/l)
216	–	376	–	197
148	–	138	–	135
109 (n = 2)	15,4	127	28,6	135
175	–	138,5	–	155
143 (n = 3)	20,8	110	10,1	120
Solution synthétique * DBO₅ : 200 mg/l				
Nombre de mesures	Hauteur de pic (moyenne)	σ	Surface (moyenne)	σ
5	207,5	35,5	198	8,3
5	148	15,6	130	11,4

* La solution synthétique consiste en 160 mg de peptone de caséine, 110 mg d'extrait de viande, 30 mg d'urée, 7 mg de NaCl, 4 mg de CaCl₂·2H₂O et 2 mg de MgSO₄·7H₂O par litre (HUSMANN, 1967).

Les eaux de la station d'épuration d'eaux domestiques d'Arion donnent des valeurs bien corrélées avec la DBO₅.

En analysant l'entièreté du tableau, on remarquera immédiatement que les résultats obtenus avec la hauteur ou la surface de pic sont sensiblement différents. Il apparaît donc bien que ces deux paramètres peuvent fournir des informations différentes sur le substrat analysé, notamment en termes de facilité relative de dégradation du substrat. A ce niveau, il nous semble que le choix de la solution de calibration soit également un paramètre déterminant quant à l'interprétation des différences entre les réponses fournies.

Au vu des difficultés d'interprétation des résultats des substrats complexes dont on ne maîtrise pas la composition, une solution artificielle d'eau usée, utilisée dans le cadre d'essais en pilotes (HUSSMANN, 1967), a été testée. On constate que pour la première journée, la mesure est correctement corrélée à la DBO₅. Mais la stabilité de cette solution est précaire (même au réfrigérateur). Elle semble néanmoins réunir les conditions pour servir de solution de calibration à condition de la préparer quotidiennement. Nous poursuivrons donc, à l'avenir, notre étude en vue de valider ce choix.

4 – CONCLUSIONS

Les caractéristiques principales des appareils étudiés sont reprises au tableau 3.

Tableau 3 Caractéristiques des systèmes testés.

Table 3 Characteristics of tested systems.

Critères	Réacteur piston	Réacteur parfaitement mélangé	Bioélectrode
Gamme de travail	Charge organique importante	Charge organique importante	Charge organique faible
Temps d'analyse	10 à 40 min.	2 heures	20 à 50 min.
Durée de vie des biocomposants (en usage)	40 jours	30 jours	2 mois
Stockage	1 mois	1 mois	8 mois
Consommation du substrat	Partielle	Totale (fraction biodégradable pendant le temps d'analyse)	Partielle
Temps d'adaptation	Faible	Faible	1 à 2 jours
Débit (ml/min.)	150	/	10

Réacteur piston

Aucune courbe de calibration linéaire n'a pu être obtenue, pour un substrat donné, avec le réacteur à écoulement piston, tant par l'utilisation de la hauteur que de la surface de respirogramme. La complexité des paramètres physiques et biologiques mis en jeu (transfert, adsorption, dégradation du substrat, phénomènes de

saturation en substrat, débit d'alimentation,...) risque de compromettre, la possibilité d'une maîtrise parfaite de la méthode. Une investigation plus poussée reste nécessaire. Les perspectives offertes par la variante utilisant la recirculation totale sont très intéressantes, notamment quant à la possibilité d'automatisation du système.

Réacteur parfaitement mélangé

En ce qui concerne le réacteur parfaitement mélangé, la quantité plus importante de données obtenues permet une meilleure maîtrise et interprétation de son mode de fonctionnement. Les réponses du système reposant sur l'estimation d'un produit du coefficient de transfert $K_L a$ par la surface du respirogramme sont linéairement corrélées à la quantité de matière organique mise en contact avec la biomasse immobilisée. La tentative visant à corréler la réponse du système avec les mesures de DBO_5 dilutions pour un substrat quelconque s'est révélée délicate : ces réponses s'écartent parfois notablement de la méthode normalisée et sont non mesurables pour certains composés complexes (amidon, cellulose par exemple).

Bioélectrode

Le dispositif de mesure mettant en œuvre une bioélectrode suit, en ce qui concerne la solution de calibration et le type de micro-organisme utilisé, une configuration classique, mais à laquelle deux modifications originales ont été apportées : l'ajout d'une sonde de Clark de référence dans la cellule de mesure, la possibilité d'un traitement du signal sur base de la vitesse initiale de respiration, de la hauteur ou encore de la surface d'un respirogramme. Ces trois informations sont linéairement corrélées à la concentration en matières organiques biodégradables injectées dans le système.

Notons qu'un traitement des signaux sur base des vitesses initiales permet la réduction du temps d'analyse, mais pourrait omettre, de par le domaine restreint de linéarité et la saturation rapide qui la caractérisent, de prendre en compte la dégradation de certains composés d'effluents complexes qui le serait par la hauteur, et mieux, par la surface de pic.

Les inconvénients majeurs des systèmes de type bioélectrode se situent à divers niveaux. Tout d'abord, il semble dangereux de considérer une bioélectrode DBO comme appareil analytique dans le sens où la biomasse utilisée ne peut permettre, sans adaptation préalable, de donner de bonnes estimations de DBO lors d'un changement de substrat à analyser. Ensuite, la méthode est telle qu'à un substrat donné correspond une vitesse d'oxydation bien définie. Ce fait tend à montrer que le choix d'une solution de calibration est primordial : celle-ci se devra d'être qualitativement la plus proche possible du type d'échantillons à analyser. Une amélioration des réponses pourrait également passer par un choix des micro-organismes immobilisés, dont le spectre métabolique serait mieux adapté à l'effluent testé. L'utilisation idéale de l'appareil serait donc de mettre en jeu une solution de calibration et un type de micro-organismes pour un et un seul effluent à analyser.

Bien que leurs conditions d'utilisation ne soient pas complètement définies et que leurs analyses ne se limiteraient qu'aux composés très rapidement métabolisables, les appareils présentés dans cette étude ont un réel champ d'applications : les composés rapidement biodégradables sont une variable d'état du modèle I de l'IAWQ (HENZE et al., 1986), pour la description et la simulation des systèmes à boues activées. Les bioréacteurs ont une gamme de travail adéquate pour l'analyse d'effluents d'entrée de station d'épuration, celle des bioélectrodes pour les sorties.

RÉFÉRENCES BIBLIOGRAPHIQUES

- BLOK J., 1974. Respirometric measurements on activated sludge. *Water research*, vol. 8, 11-18.
- BLOK J., 1976. Measurements of the viable biomass concentration in activated sludge by respirometric techniques. *Water research*, vol. 10, 919-925.
- FARKAS P.A., 1981. The use of respirography in biological treatment plant control. *Wat. Sci. Tech.*, 13, 125-131.
- HENZE M., GRADY Jr C.P.L., GUJER W., MARAIS G.V.R., MATSUO T., 1986. Activated sludge model n° 1, Scientific and technical reports n° 1, IAWQ.
- HIKUMA M., SUZUKI H., YASUDA T., KARUBE I., SUZUKI S., 1979. Amperometric estimation of BOD using living immobilized yeasts. *European. J. Appl. Microbiol. Biotechnol.*, 8, 289-297.
- HIKUMA M., SUZUKI H., YASUDA T., KARUBE I., SUZUKI S., 1980a. A rapid electrochemical method for assimilation test of microorganisms. *European. J. Appl. Microbiol. Biotechnol.*, 9, 305-316.
- HIKUMA M., OBANA H., YASUDA T., KARUBE I., SUZUKI S., 1980b. Amperometric determination of total assimilable sugars in fermentation broths with use of immobilized whole cells. *Enzyme. Microbiol. Technol.*, 2, 234.
- HUSMANN W., 1967. Verordnung über die abbaubarkeit von detergentien in wasch- und reinigungsmitteln. *Bundesgesetzblatt*, 49, 698.
- KARUBE I., MATSUNAGA T., MITSUDA S., SUZUKI S., 1977a. Microbial electrode BOD sensors. *Biotechnology and bioengineering*, XIX, 1535-1547.
- KARUBE I., MATSUNAGA T., SUZUKI S., 1977b. A new microbial electrode for BOD estimation. *J. Solid-Phase Biochemistry*, 2, 2, 97-104.
- KULIS J., KADZIAUSKIENE K., 1980. Yeast BOD sensor. *Biotechn. and Bioengineering*, 22, 221-226.
- LAMB J.C., WESTGARTH W.C., ROGERS J.L., VERNIMMEN A.P., 1964. A technique for evaluating the biological treatability of industrial waste. *J. Wat. Pollut. Control. Fed.*, 36, 1263-1284.
- MONTGOMMERY H.A.C., 1967. The determination of biochemical oxygen demand by respirometric methods. *Water Research*, 1, 631-662.
- RIEDEL K., RENNEBERG R., KÜHN M., SCHELLER F., 1988. A fast determination of BOD using microbial sensor. *Applied Microb. Biotechnol.*, 28, 316-318.
- RIEDEL K., LANGE K.P., STEIN H.J., KÜHN M., OTT P., SCHELLER F., 1990. A microbial sensor for BOD. *Water Research*, 24, 7, 883-887.
- SPANJERS H., 1994. Respirometry in activated sludge, *doctoral thesis*, Wageningen Agricultural University, Wageningen, the Netherlands, 199 pages.
- STANDARD METHODS, 1985. Norm ISO 5815, Determination of biochemical oxygen demand after 5 days: dilution and seeding method.
- STRAND S.E., CARLSON D.A., 1984. Rapid BOD measurement for municipal wastewater samples using a biofilm electrode. *J. Wat. Pollut. Control. Fed.*, 56, 5, 464-467.
- SUSCHKA J., FERREIRA E., 1986. Activated sludge respirometric measurements. *Water Research*, 20, 2, 137-144.
- VAN ROLLEGHEM P., 1994. On-line modeling of activated sludge processes, *doctoral thesis*, Universiteit Gent.
- VAN ROLLEGHEM P., DRIES D., VERS-TRAETE W., 1990. RODTOX: Biosensor for rapid determination of the biochemical oxygen demand and the on-line monitoring of the toxicity of wastewaters. *Proceedings-fifth european congres on biotechnology*, Copenhagen, Denmark, July 8-13 1990. 1, 161-164.
- VASEL J-L., WARNIER P., JUPSIN H., SCHROBILTGEN P., 1991. Automatisa-tion et comparaison de différentes méthodes respirométriques d'estimation rapide de la DBO. *Rev. Sci. Eau*, 4, 415-435.
- VERNIMMEN A.P., HENKEN E.R., LAMB J.C., 1967. A short term biochemical oxygen demand test. *J. Wat. Pollut. Control. Fed.*, 39, 1006-1020.